

## FEATURES

- SMALL SIZE (2.0x1.2mm & 3.2x1.5mm)
- LOW PROFILE (0.9mm MAX.)
- FREQUENCY 32.768KHz
- TAPE & REEL PACKAGING FOR AUTOMATIC PLACEMENT
- RoHS COMPLIANT

## RoHS Compliant

includes all homogeneous materials

\*See Part Number System for Details



## NKC08 PART NUMBERS AND SPECIFICATIONS (-40°C ~ +85°C Operating Temperature)

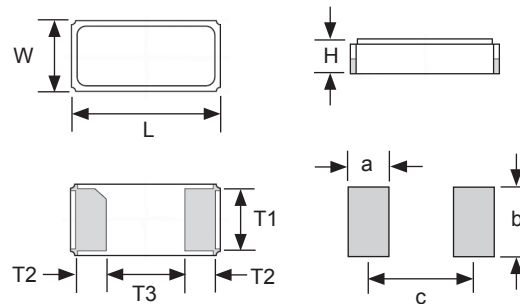
Part Number	Nominal Frequency	Frequency Tolerance	Turnover Temperature	Parabolic Coefficient	Motional Resistance	Motional Capacitance	Shunt Capacitance	Load Capacitance	Drive Level
NKC08H32768F6R0STRF	32.768KHz	±20ppm	+25°C ± 5°C	-0.04ppm/°C <sup>2</sup> max.	80KΩ max.	5.8fF typ.	1.3pF typ.	6.0pF	0.1μW typ. (0.5μW max.)
NKC08H32768F7R0STRF		±20ppm						7.0pF	
NKC08H32768F9R0STRF		±20ppm						9.0pF	
NKC08F32768F12R5STRF		±10ppm						12.5pF	
NKC08H32768F12R5STRF		±20ppm						12.5pF	

## NKC12 PART NUMBERS AND SPECIFICATIONS (-40°C ~ +85°C Operating Temperature)

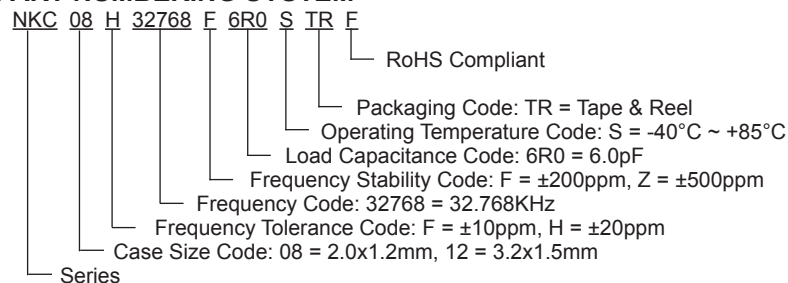
Part Number	Nominal Frequency	Frequency Tolerance	Turnover Temperature	Parabolic Coefficient	Motional Resistance	Motional Capacitance	Shunt Capacitance	Load Capacitance	Drive Level
NKC12H32768F6R0STRF	32.768KHz	±20ppm	+25°C ± 5°C	-0.04ppm/°C <sup>2</sup> max.	70KΩ max.	3.7fF typ.	0.9pF typ.	6.0pF	0.1μW typ. (0.5μW max.)
NKC12F32768F7R0STRF		±20ppm						7.0pF	
NKC12H32768F9R0STRF		±20ppm						9.0pF	
NKC12F32768F12R5STRF		±10ppm						12.5pF	
NKC12H32768F12R5STRF		±20ppm						12.5pF	

## DIMENSIONS (mm)

Case Size	L	W	H	T1 (ref.)	T2 (ref.)	T3 (ref.)	a (ref.)	b (ref.)	c (ref.)
NKC08	2.0 ± 0.1	1.2 ± 0.1	0.5 ± 0.1	1.0	0.5	0.8	0.70	1.40	1.50
NKC12	3.2 ± 0.1	1.5 ± 0.1	0.8 ± 0.1	1.3	0.65	1.7	1.00	1.55	2.60

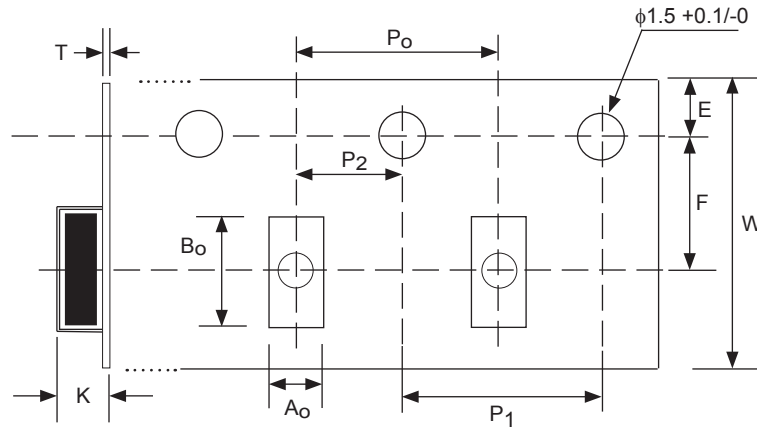


## PART NUMBERING SYSTEM



### TAPE DIMENSIONS (mm)

Case Size	A <sub>0</sub>	B <sub>0</sub>	F	E	K	P <sub>0</sub>	P <sub>1</sub>	P <sub>2</sub>	T	W
0805	1.45 ± 0.1	2.25 ± 0.1	3.50 ± 0.05	1.75 ± 0.1	0.75 ± 0.1	4.0 ± 0.1	4.0 ± 0.1	2.0 ± 0.05	0.25 ± 0.05	8.0 ± 0.2
1206	1.80 ± 0.1	3.60 ± 0.1	5.50 ± 0.10		1.00 ± 0.1				0.30 ± 0.05	



### REEL DIMENSIONS (mm)

Case Size	A	B	C	D	W
0805	180 +0/-1.5	60 +1/-0	13.0 ± 0.2	21 ± 0.8	9.0 +1/-0
1206					13.0 +1/-0

