



[www.niccomp.com](http://www.niccomp.com) | technical support: [tpmg@niccomp.com](mailto:tpmg@niccomp.com)

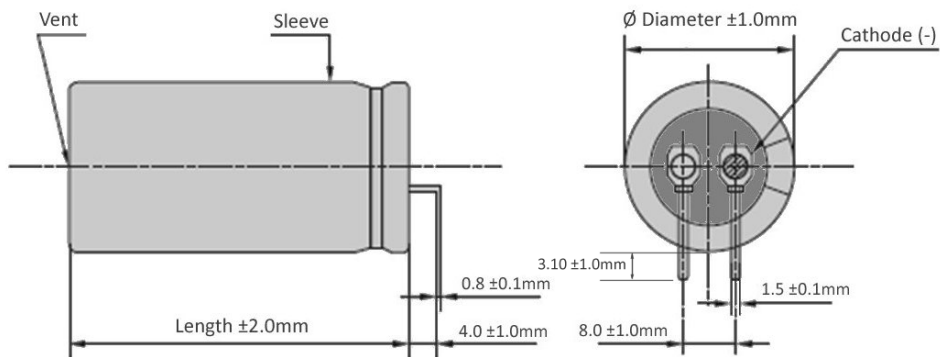
July 2014

Special “HF” part number suffix  
Horizontal mount snap-in aluminum electrolytic capacitor format

**Part Number Format:**

Example: NRLxx\_\_M\_\_V\_\_x\_\_HF

Dimensions:



**Notes:**

- 8.0mm lead-spacing
- 3.1mm lead Length
- Supplied in bulk packaging for hand insertion

Prepared by TPMG Department, NIC Components Corp. / [tpmg@niccomp.com](mailto:tpmg@niccomp.com)

Doc. Rev 1.0