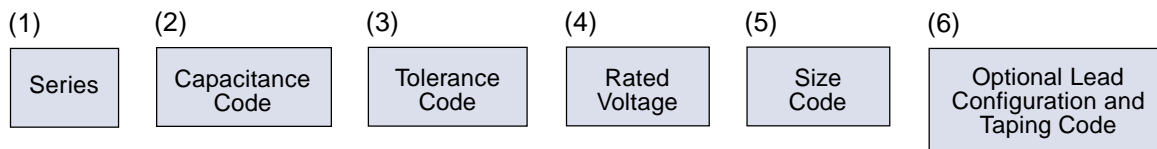
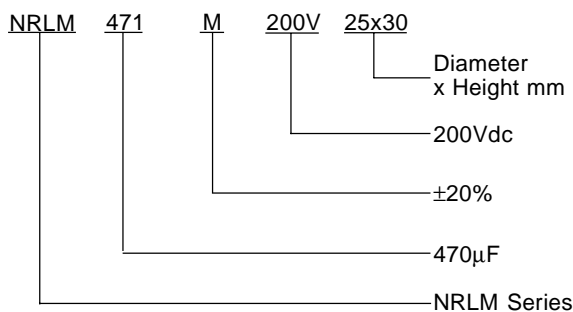
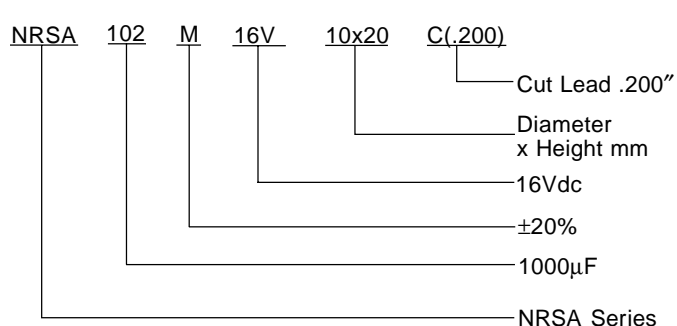
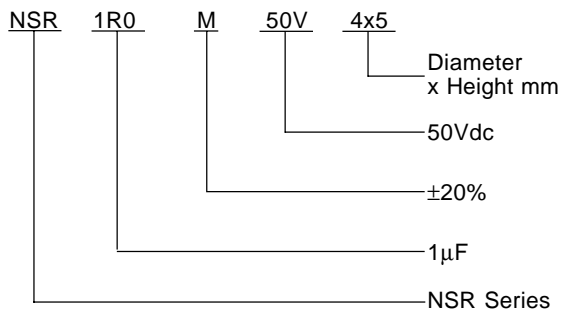


# Part Numbering System for Aluminum & Tantalum Electrolytic Capacitors

## ALUMINUM ELECTROLYTIC CAPACITORS



### Examples:



RoHS Compliance: All part numbers were made RoHS compliant in 2004. The letter "F" should be added as the last character in the part number suffix to reflect RoHS compliance.

### (1) Series-Type

(2) Capacitance code expressed in microfarads (µF). Three digit code, where first two digits are significant ("R" indicates decimal point for under 10µF) and third digit is number of zeros.

### Examples:

Capacitance (µF)	Code	Capacitance (µF)	Code
0.1	R10	47	470
0.47	R47	100	101
1.0	1R0	1000	102
10	100	10,000	103

### (3) Tolerance Code:

K = ±10%    Q = -10~+30%  
M = ±20%    T = -10~+50%

### (4) Rated Voltage in V

### (5) Size expressed in mm:

Radial lead and snap-in can = Diameter x Height  
Axial leads = Diameter x Length



# Part Numbering System for Aluminum & Tantalum Electrolytic Capacitors

(6) Packaging and lead configuration codes:

## RADIAL LEAD CODES

C(.XXX) = Cut leads with actual length (in inches)

F1 = 2.5mm (.100") Formed Lead Space

F1C(.XXX) = 2.5mm (.100") Formed Lead Space & cut leads with actual length (in inches)

F2 = 5mm (.200") Formed Lead Space

F2C(.XXX) = 5mm (.200") formed lead space and cut leads with actual length (in inches)

F3 = 7.5mm (.300") lead spacing

F3C = 7.5mm (.300") lead spacing and cut leads with actual length (in inches)

SP = Snap-in type with standard lead spacing and 4.5mm lead length

SP7.5LL = Snap-in type with standard lead space and 7.5mm lead length

SP7.5LS = Snap-in type with 7.5mm lead space and 4.5mm lead length

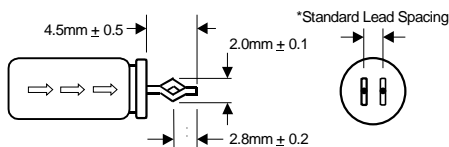
TB = Tape/Box (ammo style), 5mm (.200") lead spacing

TBF1 = Tape/Box (ammo style), 2.5mm (.100") lead spacing

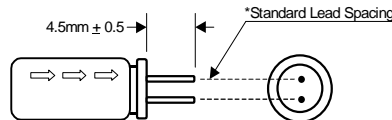
TBST = Tape/Box (ammo style), straight leads (spacing dependent on case size)

RoHS Compliance: All part numbers were made RoHS compliant in 2004. The letter "F" should be added as the last character in the part number suffix to reflect RoHS compliance.

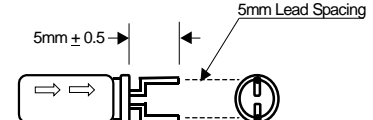
### EXAMPLES: (SP) Snap-in Style



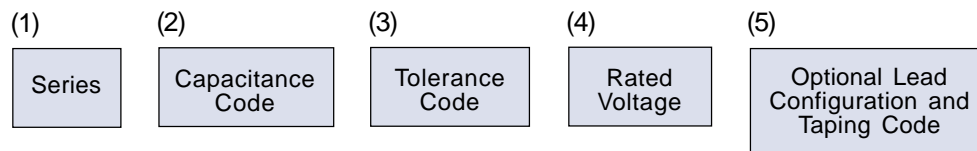
### (C) Cut Style



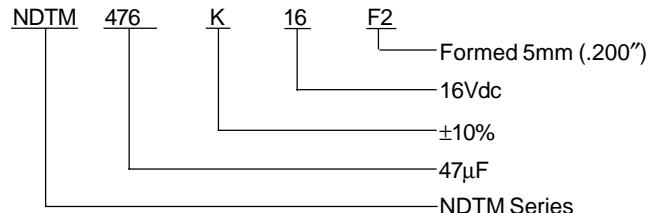
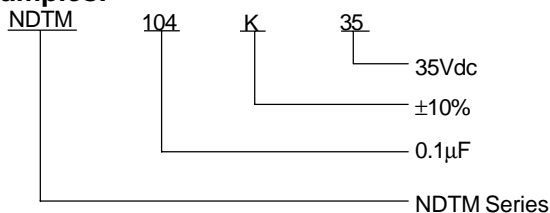
### (CF) Cut & Formed Style



## SOLID DIP TANTALUM CAPACITORS



### Examples:



(1) Series-Type

(2) Capacitance Code expressed in picofarads (pF). Three digit code, where first two digits are significant and third is number of zeros

(3) Tolerance code:

J = ±5%

K = ±10%

M = ±20%

(4) Rated Voltage in V

(5) Lead configuration and taping codes:

F2 = 5mm (.200") formed lead spacing

C(.XXX) = cut leads with actual length (in inches)

TBF2 = Tape/Reel, 5.0mm (.200") lead spacing

### Examples:

Capacitance (uF)	Code	Capacitance (uF)	Code
0.1	104	10	106
0.47	474	47	476
1.0	105	100	107

TBF1 = Tape/Box, 2.5mm (.100") lead spacing

TBF2 = Tape/Box (Ammo) 5.0mm (.200") lead spacing

