

# NANE10X108WTJW2R440G1RF

## 2.4 GHz WIFI Whip External Antenna



### Features

- Up to 90° flexibility
- RoHs Complaint
- Single band frequency
- RoHs Complaint

### Applications

- Meters
- Routers
- Gateways



### Specifications

Electrical	
Frequency Ranges	2400~2483.5MHz
Bandwidth	83.5 MHz
Peak Gain	3 dBi
V.S.W.R	< 2.0
Polarization	Linear
Impedance	50Ω
Environmental	
Operating Temperature -	-40°C~+85°C
Vibration	10 to 55Hz with 1.5mm amplitude 2hours
ROHS Compliant	Yes

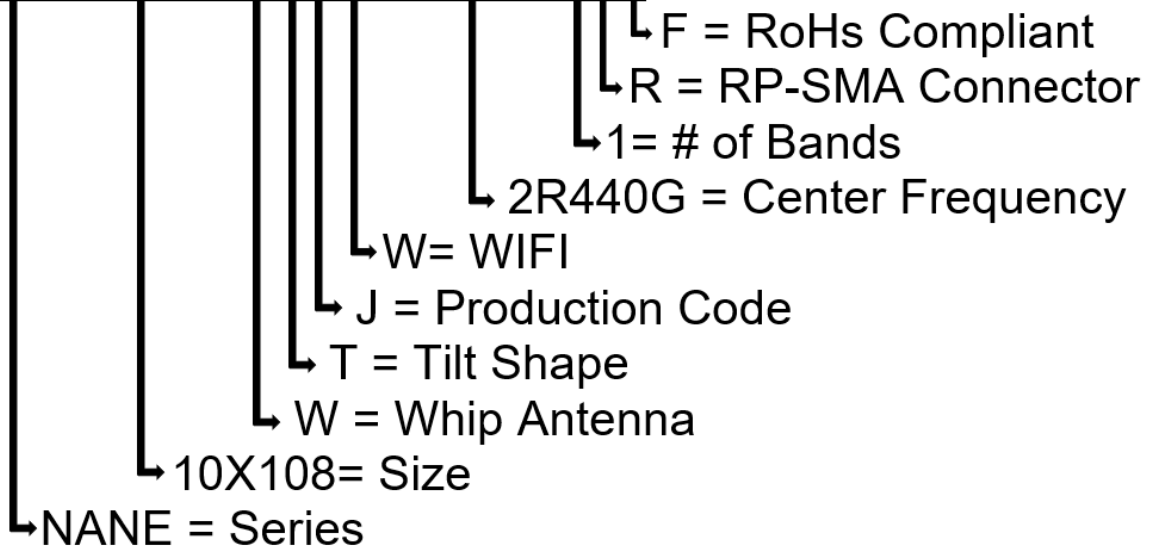
# NANE10X108WTJW2R440G1RF

2.4 GHz WIFI Whip External Antenna



## Part Number Breakdown

NANE10X108WTJW2R440G1RF

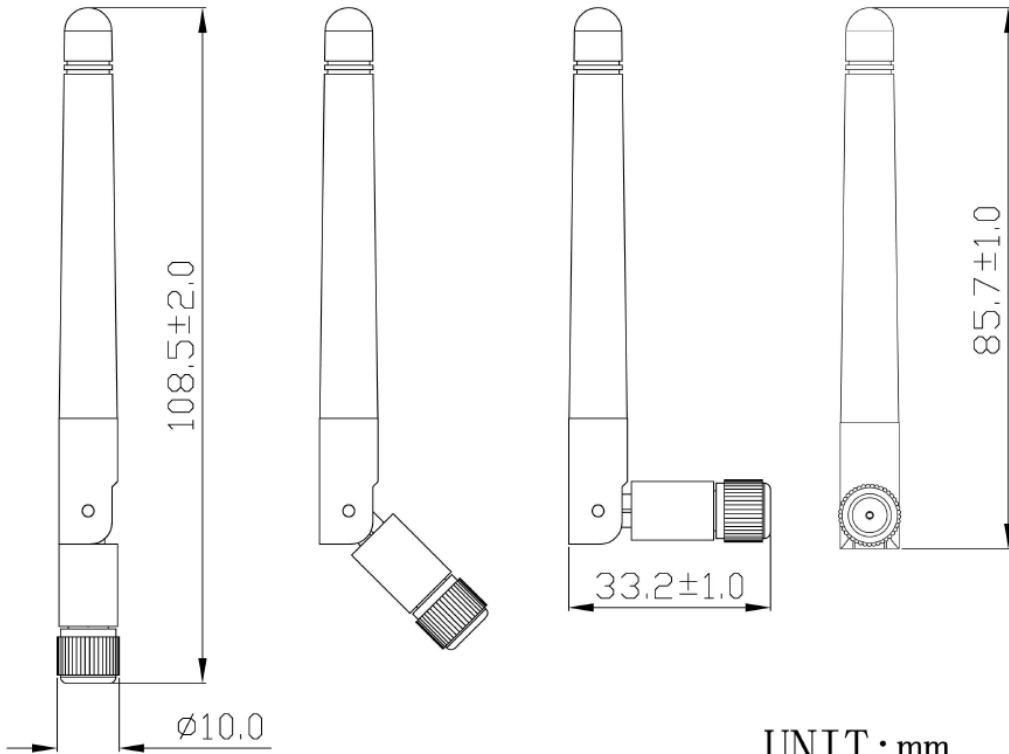


# NANE10X108WTJW2R440G1RF

2.4 GHz WIFI Whip External Antenna



## Dimension Drawing



UNIT : mm

## Dimensions (mm) & Mechanical

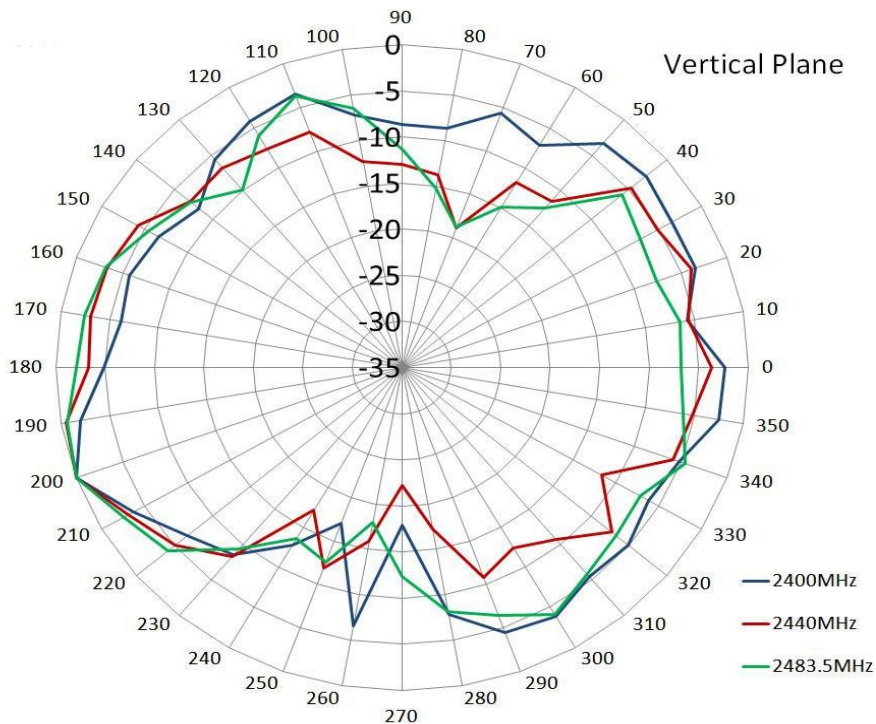
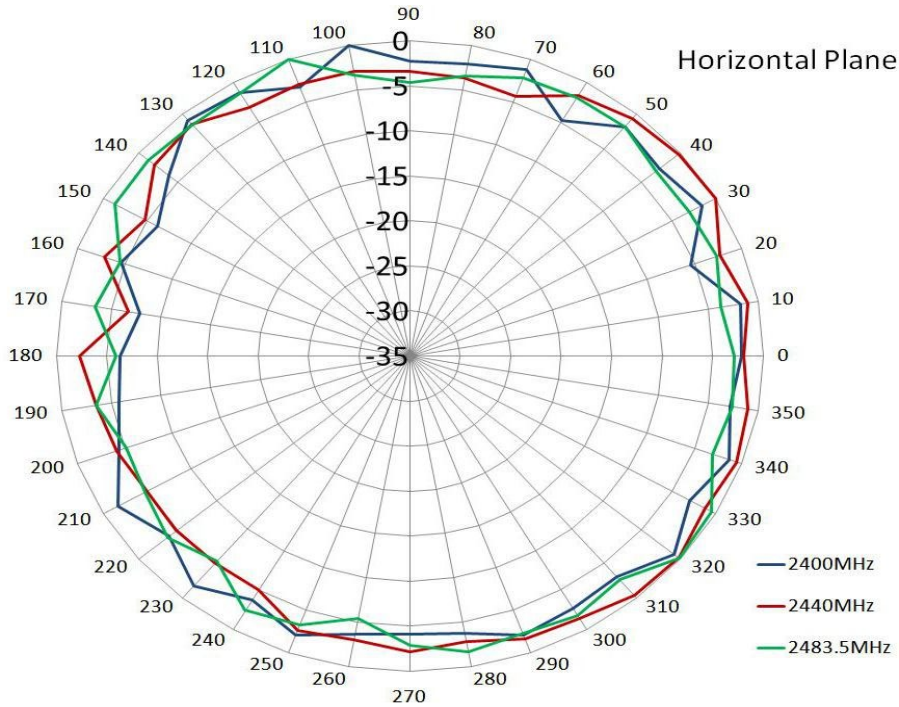
Body Length	108.5 ± 2.0
Diameter	10
Connector	RP-SMA Male

# NANE10X108WTJW2R440G1RF

2.4 GHz WIFI Whip External Antenna



## Radiation Patterns



Performance Passives By Design

NIC Components Corp.  
100 Baylis Road. Melville, NY 11747

Page 4  
www.niccomp.com

Last Updated 6/19/2023. Specification subject to change without notice. Please check web site or contact NIC for latest information