

NANE20X365FJS0R915G1NF

915 MHz ISM/LoRa External Antenna



Features

- ISM / LoRa 915 MHz Band
- Fiberglass Antenna
- Waterproof
- RoHs Complaint

Applications

- Cellular Communication
- Hotspots
- LoRaWAN

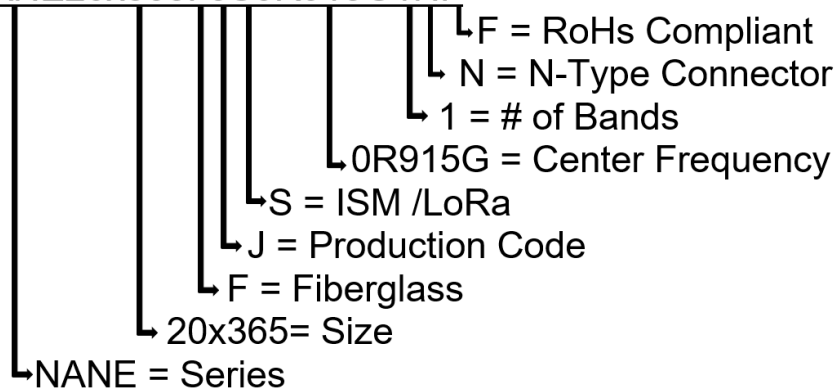
Specifications

Electrical	
Frequency Range	860-928MHz
Bandwidth	±10MHz
Polarization	Vertical
Gain	3.5 dB
V.S.W.R	≤ 3
Radiation Direction	Omnidirectional
Half Power Corner	H: 360 V: 16.5
Max Input Power	100 W
Impedance	50Ω
Environmental	
Operating Temperature -	-40°C~+60°C
Lightning protection	DC Ground
Wind resistance	60m/s



Part Number Breakdown

NANE20x365FJS0R915G1NF

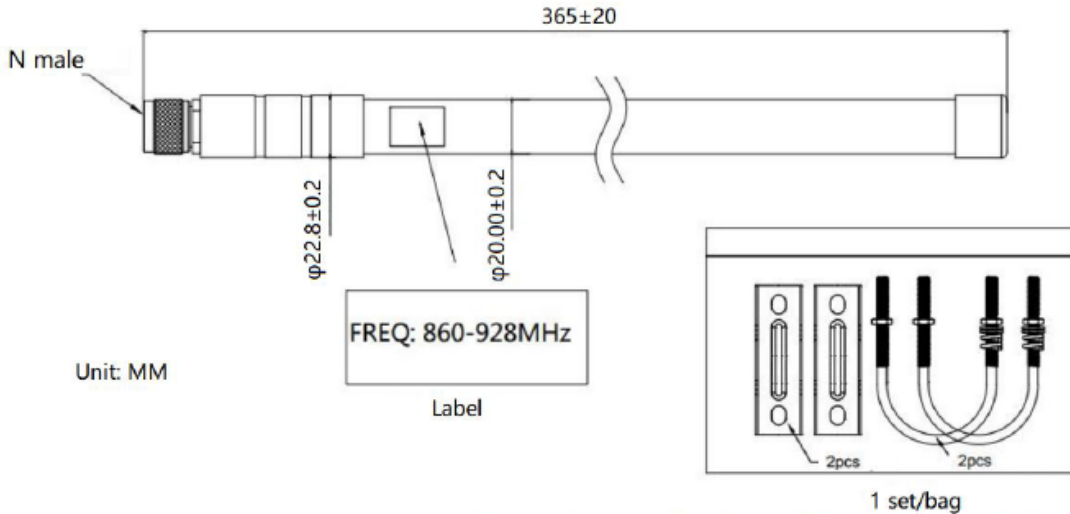


NANE20X365FJS0R915G1NF

915 MHz ISM/LoRa External Antenna



Dimension Drawing



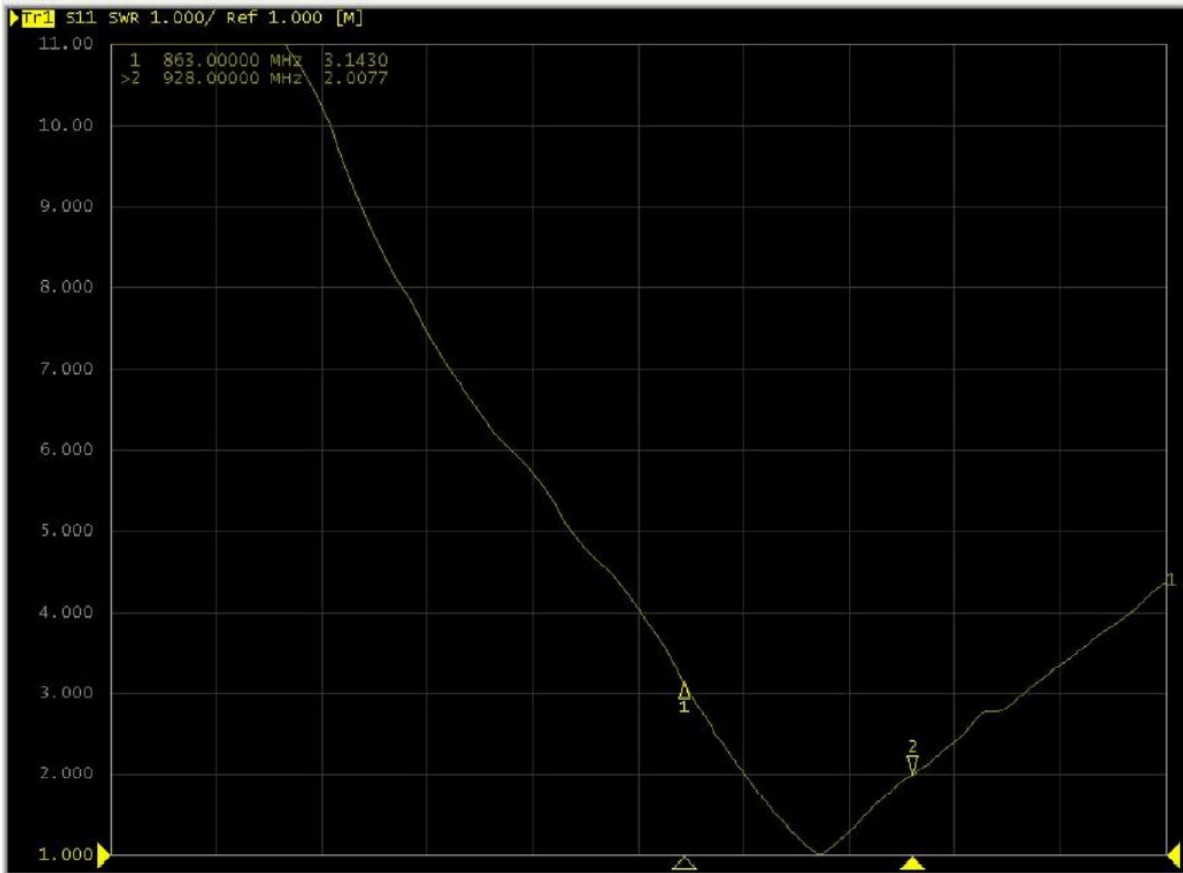
Accessories are packaged separately and shipped with the goods.

Dimensions (mm) & Mechanical

Body Length	365 ± 20
Diameter	20.0 ±0.2
Connection Type	N Male
Weight	0.21kg
Radome	Fiberglass
Color	White
Mouthing Method	U bracket
Mounting Hardware	Φ 35~Φ 50 mm

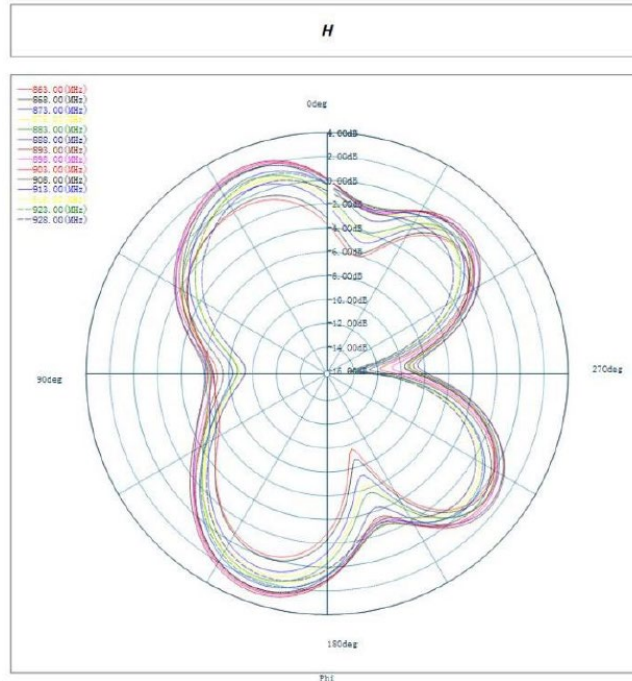
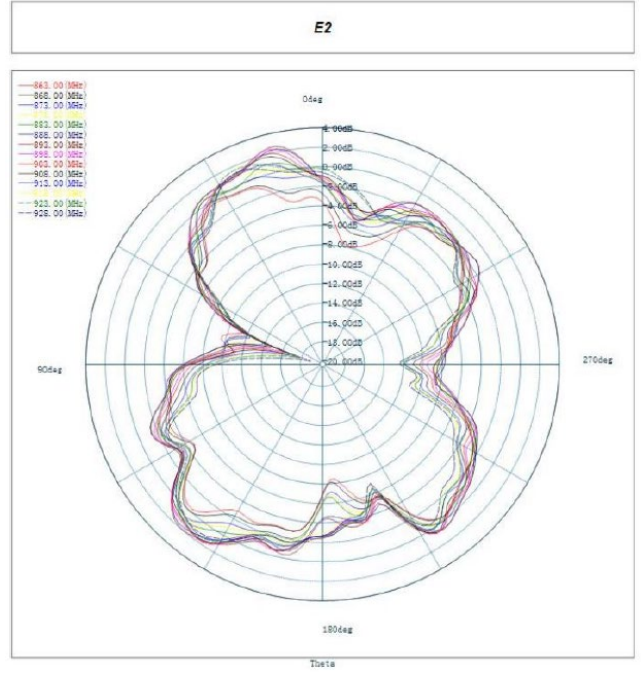
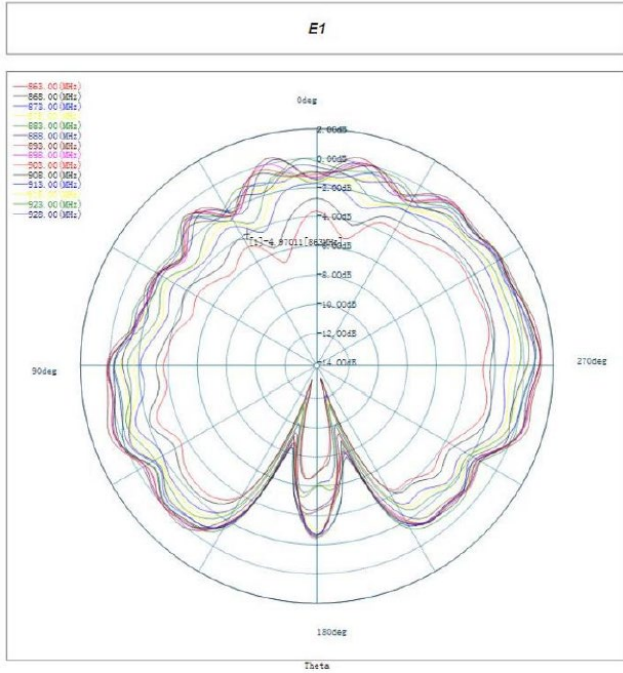


VSWR





Radiation patterns



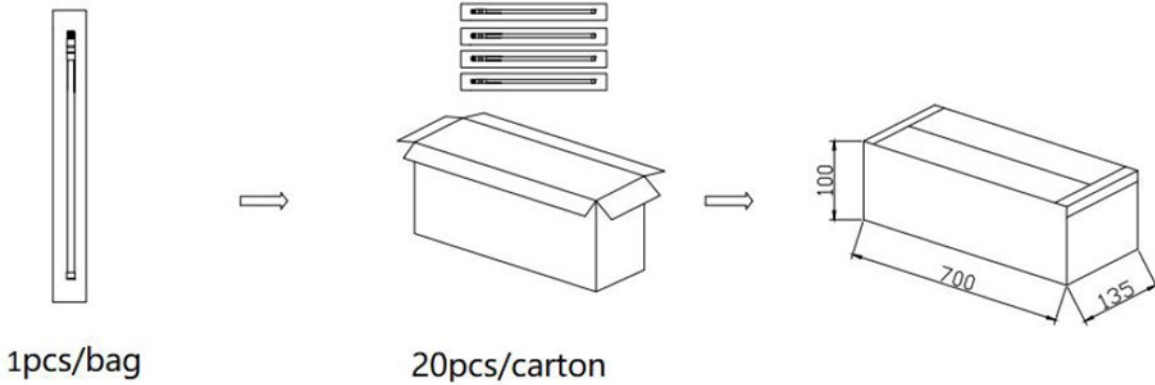
NANE20X365FJS0R915G1NF

915 MHz ISM/LoRa External Antenna

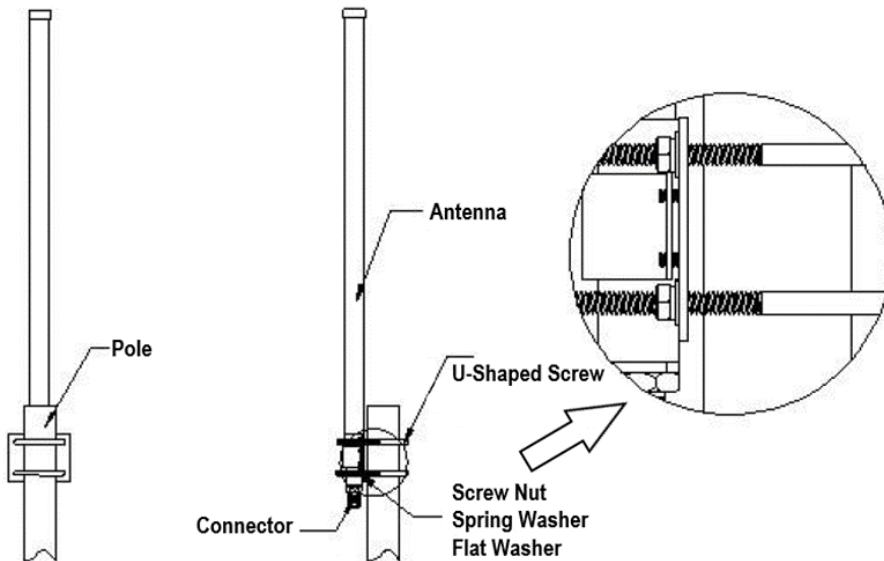


Package

1. 1 pcs antenna per package
2. 20 bags per carton



Installation Instructions





Installation Steps:

1. Place the M6 U-shape screw through the holes on the clamps to mount the antenna to the pole, whose outer diameter is 35~50mm. Then put on the flat washer and the spring washer and twist all the nuts.
2. There should be at least three meters between the ground or floor and the antenna above. Do not place near any huge buildings, metal objects or any other obstacles or shelters
3. Adjust the mounting height of the antenna to the proper position to receive the best signal and then seal all the connectors
4. Please pay attention to lightning protection