

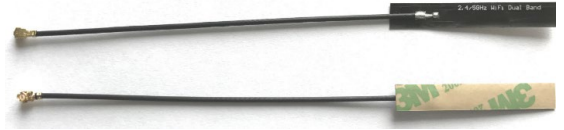
NANP45X7AJW2R450G2F

2.5 & 4.9 GHz WIFI PCB Antenna



Description

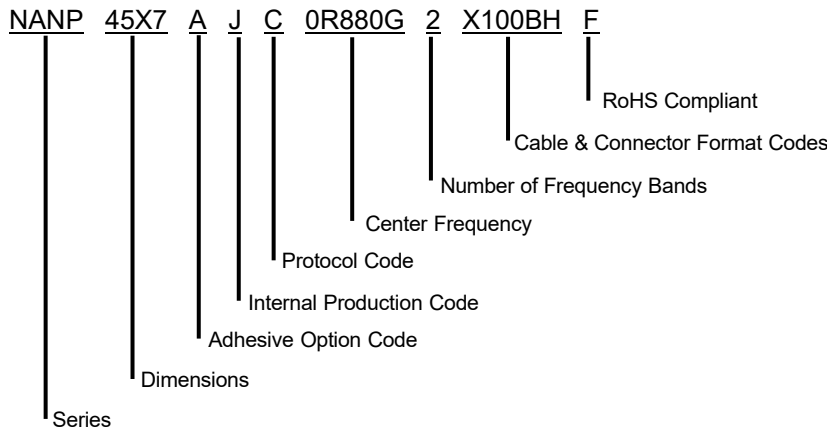
The NANP45X7AJW2R450G2F is a Rigid PCB antenna designed for dual-band WIFI applications. It operates within the frequency ranges of 2400~2483.5 MHz and 4900~5825 MHz, making it perfect for use in Routers, Gateways, Commercial/ Handheld Electronics and Meters.



Features

- 2.5 & 4.9 GHz WIFI Protocol
- Customizable cable type and cable length
- Rigid PCB Type
- RoHS compliant

Part Number Breakdown



Standard Part Number Listing

Part Number	Connector	Cable Length	Cable Type	Cable Orientation
NANP45X7AJW2R450G2X100BHF	IPEX MHF	100 mm	RF1.37	Horizontal
NANP45X7AJW2R450G2X150BHF	IPEX MHF	150 mm	RF1.37	Horizontal

The table represents assembled part numbers available on www.niccomp.com from standard connector and cable options. For options not listed above please contact NIC"

NANP45X7AJW2R450G2F

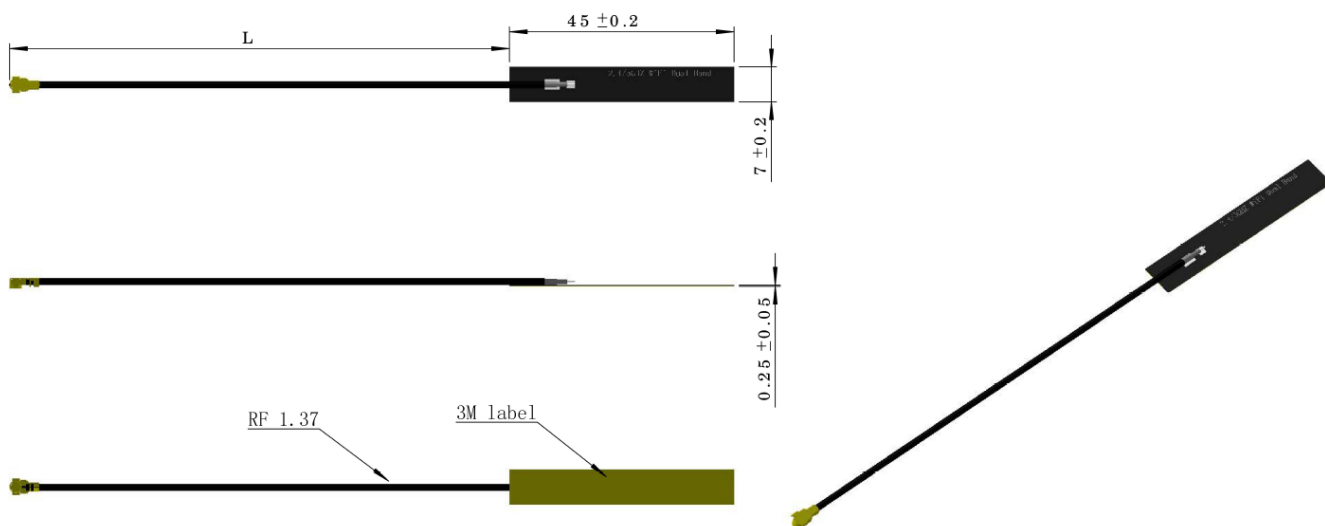
2.5 & 4.9 GHz WIFI PCB Antenna



Specifications

Frequency Ranges	2400~2483.5MHz
	4900~5825MHz
Gain	3 dBi
V.S.W.R	< 2.0
Polarization	Linear
Impedance	50Ω
Operating Temperature Range	-40°C ~ 85°C
Vibration Testing	10 – 55 Hz 1.5mm Amplitude 2 hours
Mounting Method	Adhesive
RoHS Compliant	Yes

Dimensions



NANP45X7AJW2R450G2F

2.5 & 4.9 GHz WIFI PCB Antenna



Radiation Patterns

