



[www.niccomp.com/pcn](http://www.niccomp.com/pcn) | Technical Support: [tpmg@niccomp.com](mailto:tpmg@niccomp.com)

Issued: October 1, 2018

SUB: EOL Notice

Product Type: Surface Mount Aluminum Electrolytic Capacitors  
NIC Series: NAWT

Notification: End of Life Notification

The following is notification of the end of life of the NAWT series of surface mount aluminum electrolytic capacitors.

Effective: October 1, 2018  
Last Order Date: March 31, 2019  
Last Ship Date: June 30, 2019

Reason for Discontinuation: Low demand  
Prepared by: Technical Product Marketing Group / [tpmg@niccomp.com](mailto:tpmg@niccomp.com)

➔ Follow NIC PCN alerts to get email notifications of EOL and PCN announcements at [www.niccomp.com/pcn](http://www.niccomp.com/pcn)

See the possible alternative part numbers in the table below or use our Quickbuilder tool to find other possible alternatives for the discontinued part numbers: [http://www.niccomp.com/QuickBUILDER/gb\\_capacitor.php](http://www.niccomp.com/QuickBUILDER/gb_capacitor.php)

Discontinued Part Number	Cap. Code	Voltage	Alternative Part Number	Comments
NAWT221M6.3V6.3X8NBF	221	6.3V	NAZT221M6.3V6.3X6.3NBF	Lower Profile, Superior RCR
NAWT471M6.3V8X10.5LBF	471	6.3V	NAZT471M6.3V8X10.5NBF	Superior RCR
NAWT102M6.3V10X10.5LBF	102	6.3V	NAZT102M10V10X10.5LBF	Higher Voltage
			NAZT102M6.3V8X10.5NBF	Smaller ΦD, Superior reflow profile
NAWT331M10V8X10.5LBF	331	10V	NAZT331M10V8X10.5NBF	Superior reflow profile
NAWT471M10V8X10.5LBF	471	10V	NAZT471M10V8X10.5NBF	Superior reflow profile
NAWT471M10V10X10.5LBF	471	10V	NAZT471M10V10X8JBF	Lower Profile, NAWT: 528mA/100k, 440mA/120Hz NAZT: 600mA/100k, 360mA/120Hz
NAWT101M16V6.3X8NBF	101	16V	NAZT101M16V6.3X6.3NBF	Lower Profile, NAWT: 133mA/100k, 111mA/120Hz NAZT: 250mA/100k, 100mA/120Hz
NAWT221M16V8X10.5LBF	221	16V	NAZT221M16V6.3X8NBF	Smaller ΦD, NAWT: 222mA/100k, 185mA/120Hz NAZT: 300mA/100k, 180mA/120Hz
NAWT331M16V8X10.5LBF	331	16V	NAZT331M16V8X10.5NBF	Superior reflow profile & RCR
NAWT331M16V10X10.5LBF	331	16V	NAZT331M16V10X8JBF	Lower Profile, NAWT: 528mA/100k, 440mA/120Hz NAZT: 360mA/100k, 600mA/120Hz
NAWT471M16V8X10.5LBF	471	16V	NAZT471M16V8X10.5NBF	Superior reflow profile & RCR, Longer Life



[www.niccomp.com/pcn](http://www.niccomp.com/pcn) | Technical Support: [tpmg@niccomp.com](mailto:tpmg@niccomp.com)

Discontinued Part Number	Cap. Code	Voltage	Alternative Part Number	Comments
NAWT471M16V10X10.5LBF	471	16V	NAZT471M25V10X10.5LBF	Higher Voltage
			NAZT471M16V8X10.5NBF	Smaller $\Phi$ D, Superior reflow profile, NAWT: 552mA/100k, 460mA/120Hz NAZT: 360mA/100k, 600mA/120Hz
NAWT470M25V6.3X8NBF	470	25V	NAZT470M25V6.3X6.3NBF	Lower Profile, Superior RCR
NAWT101M25V8X10.5LBF	101	25V	NAZT101M25V6.3X8NBF	Smaller $\Phi$ D, NAWT: 216mA/100k, 180mA/120Hz NAZT: 300mA/100k, 120mA/120Hz
NAWT221M25V8X10.5LBF	221	25V	NAZT221M25V8X10.5NBF	Superior reflow profile & RCR
NAWT221M25V10X10.5LBF	221	25V	NAZT221M25V10X8JBF	Lower Profile
NAWT331M25V10X10.5LBF	331	25V	NAZT331M25V8X10.5NBF	Smaller $\Phi$ D, Superior reflow profile, NAWT: 540mA/100k, 450mA/120Hz NAZT: 360mA/100k, 600mA/120Hz
NAWT471M25V10X10.5LBF	471	25V	NAZT471M25V10X10.5LBF	Superior RCR, Longer life
NAWT330M35V6.3X8NBF	330	35V	NAZT330M35V6.3X6.3NBF	Lower Profile
NAWT101M35V8X10.5LBF	101	35V	NAZT101M35V8X10.5NBF	Superior reflow profile
NAWT101M35V10X10.5LBF	101	35V	NAZT101M35V8X10.5NBF	Smaller $\Phi$ D, Superior reflow profile, NAWT: 366mA/100k, 305mA/120Hz NAZT: 600mA/100k, 240mA/120Hz
NAWT221M35V10X10.5LBF	221	35V	NAZT221M35V8X10.5NBF	Smaller $\Phi$ D, Superior reflow profile, NAWT: 540mA/100k, 450mA/120Hz NAZT: 600mA/100k, 360mA/120Hz
NAWT220M50V6.3X8NBF	220	50V	NAZT220M50V6.3X6.3NBF	Lower Profile, NAWT: 100.5mA/100k, 67mA/120Hz NAZT: 165mA/100k, 58mA/120Hz
NAWT330M50V8X10.5LBF	330	50V	NAZT330M50V6.3X8NBF	Smaller $\Phi$ D, NAWT: 210mA/100k, 140mA/120Hz NAZT: 195mA/100k, 68mA/120Hz
NAWT470M50V8X10.5LBF	470	50V	NAZT470M50V6.3X8NBF	Smaller $\Phi$ D
NAWT470M50V10X10.5LBF	470	50V	NAZT470M50V6.3X8NBF	Smaller $\Phi$ D
NAWT101M50V8X10.5LBF	101	50V	NAZT101M50V8X10.5NBF	Superior reflow profile
NAWT101M50V10X10.5LBF	101	50V	NAZT101M50V10X8JBF	Lower Profile
			NAZT101M50V8X10.5NBF	Smaller $\Phi$ D, Superior reflow profile

# Surface Mount Aluminum Electrolytic Capacitors NAWT Series

## FEATURES

- CYLINDRICAL V-CHIP CONSTRUCTION FOR SURFACE MOUNTING
- SUIT FOR HIGH TEMPERATURE REFLOW SOLDERING (UP TO 260°C)
- 2,000 HOUR LOAD LIFE @ +105°C
- DESIGNED FOR AUTOMATIC MOUNTING AND REFLOW SOLDERING

SAC Alloy Compatible  
230°C ~ 260°C

**RoHS Compliant**  
includes all homogeneous materials



## CHARACTERISTICS

Rated Voltage Rating	6.3 ~ 50Vdc						
Rated Capacitance Range	22 ~ 1,000µF						
Operating Temp. Range	-55 ~ +105°C						
Capacitance Tolerance	±20% (M)						
Max. Leakage Current After 2 Minutes @ 20°C	0.01CV or 3µA whichever is greater						
Tan δ @ 120Hz/20°C	W.V. (Vdc)	6.3	10	16	25	35	50
	S.V. (Vdc)	8.0	13	20	32	44	63
	6.3x8mm & 8~10mm diameter	0.35	0.26	0.24	0.18	0.14	0.12
Low Temperature Stability Impedance Ratio @ 120Hz	W.V. (Vdc)	6.3	10	16	25	35	50
	Z-25°C/Z+20°C	4	3	2	2	2	2
	Z-40°C/Z+20°C	8	8	4	4	3	3
Load Life Test @ 105°C All Case Sizes = 2,000 hours	Capacitance Change	Within ±25% of initial measured value					
	Tan δ	Less than ±200% of the specified maximum value					
	Leakage Current	Less than the specified maximum value					

\*See Part Number System for Details

**LOW ESR COMPONENT**  
LIQUID ELECTROLYTE  
For Performance Data  
see [www.LowESR.com](http://www.LowESR.com)

## STANDARD VALUES AND CASE SIZES (mm)

Cap. (µF)	Code	Working Voltage (Vdc)					
		6.3	10	16	25	35	50
22	220	-	-	-	-	-	6.3x8
33	330	-	-	-	-	6.3x8	8x10.5
47	470	-	-	-	6.3x8	-	8x10.5
							10x10.5
100	101	-	-	6.3x8	8x10.5	8x10.5	8x10.5
							10x10.5
220	221	6.3x8	-	8x10.5	8x10.5	10x10.5	-
330	331	-	8x10.5	8x10.5	10x10.5	-	-
				10x10.5			
470	471	8x10.5	8x10.5	8x10.5	10x10.5	-	-
			10x10.5	10x10.5			
1000	102	10x10.5	-	-	-	-	-

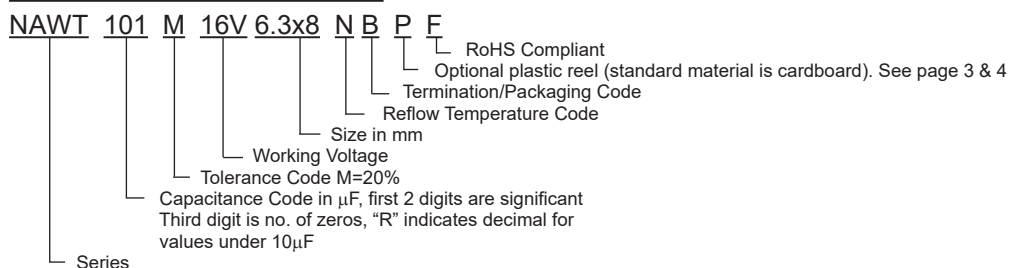
## PEAK REFLOW TEMPERATURE CODES

Code	Peak Reflow Temperature
N	260°C
L	250°C

## TERMINATION FINISH & PACKAGING OPTIONS CODES

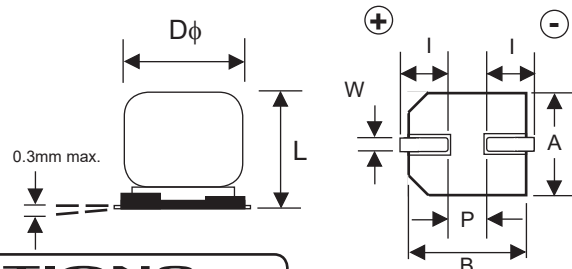
Code	Finish & Reel Size
B	Sn-Bi Finish & 13" Reel
LB	Sn-Bi Finish & 15" Reel
S	100% Sn Finish & 13" Reel
LS	100% Sn Finish & 15" Reel

## PART NUMBER SYSTEM



## DIMENSIONS (mm) AND REEL QUANTITIES

Case Size	φD±0.5	L max.	A±0.2	B±0.2	I±0.3	W	P±0.3	Qty/Reel
6.3X8	6.3	8.0	6.6	6.6	2.7	0.5~0.8	1.8	500
8x10.5	8.0	10.5	8.3	8.3	2.9	0.7~1.1	3.2	300
10x10.5	10.0	10.5	10.3	10.3	3.2	0.7~1.4	4.6	300



## PRECAUTIONS

Please review the notes on correct use, safety and precautions found at <https://www.nicomp.com/resource/files/aluminum/AlumApplInfoCautions.pdf>  
If in doubt or uncertainty, please review your specific application - process details with NIC's technical support personnel: [tpmg@nicomp.com](mailto:tpmg@nicomp.com)



# Surface Mount Aluminum Electrolytic Capacitors NAWT Series

## STANDARD VALUES, CASE SIZES AND SPECIFICATIONS

NIC Part Number	Cap. (μF)	W.V. (Vdc)	Dissipation Factor (Tan δ)	Max. Ripple Current (mA) +105°C/120Hz	Load Life Hours @ +105°C
NAWT221M6.3V6.3X8NBF	220	6.3	0.35	121	2,000
NAWT471M6.3V8X10.5LBF	470		0.35	210	2,000
NAWT102M6.3V10X10.5LBF	1000		0.35	485	2,000
NAWT331M10V8X10.5LBF	330	10	0.26	196	2,000
NAWT471M10V8X10.5LBF	470		0.26	210	2,000
NAWT471M10V10X10.5LBF	470		0.26	440	2,000
NAWT101M16V6.3X8NBF	100	16	0.24	111	2,000
NAWT221M16V8X10.5LBF	220		0.24	185	2,000
NAWT331M16V8X10.5LBF	330		0.24	290	2,000
NAWT331M16V10X10.5LBF	330		0.24	440	2,000
NAWT471M16V8X10.5LBF	470		0.24	320	2,000
NAWT471M16V10X10.5LBF	470		0.24	460	2,000
NAWT470M25V6.3X8NBF	47	25	0.18	79	2,000
NAWT101M25V8X10.5LBF	100		0.18	180	2,000
NAWT221M25V8X10.5LBF	220		0.18	320	2,000
NAWT221M25V10X10.5LBF	220		0.18	355	2,000
NAWT331M25V10X10.5LBF	330		0.18	450	2,000
NAWT471M25V10X10.5LBF	470		0.18	490	2,000
NAWT330M35V6.3X8NBF	33	35	0.14	76	2,000
NAWT101M35V8X10.5LBF	100		0.14	180	2,000
NAWT101M35V10X10.5LBF	100		0.14	305	2,000
NAWT221M35V10X10.5LBF	220		0.14	450	2,000
NAWT220M50V6.3X8NBF	22	50	0.12	67	2,000
NAWT330M50V8X10.5LBF	33		0.12	140	2,000
NAWT470M50V8X10.5LBF	47		0.12	167	2,000
NAWT470M50V10X10.5LBF	47		0.12	180	2,000
NAWT101M50V8X10.5LBF	100		0.12	230	2,000
NAWT101M50V10X10.5LBF	100		0.12	315	2,000

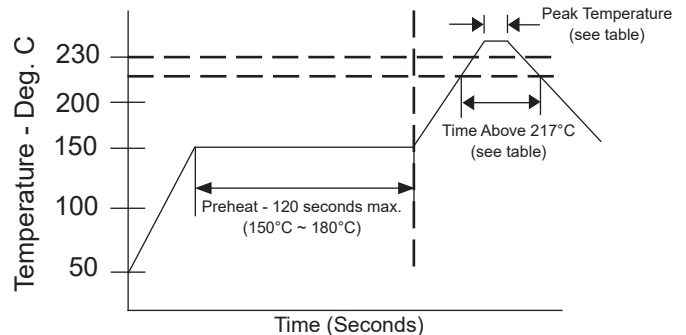
## RIPPLE CURRENT FREQUENCY CORRECTION FACTORS

Frequency	50/60Hz	120Hz	500Hz	1KHz	10KHz
22 ~ 47	0.80	1.00	1.20	1.30	1.50
100 ~ 1000	0.80	1.00	1.10	1.15	1.20

## PEAK REFLOW TEMPERATURE AND DURATION

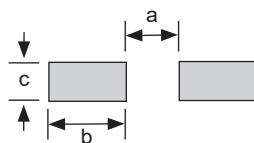
Diameter	Time above 217°C	Peak Temperature 5 seconds
6.3mm φ	60 sec. max.	260°C
8 ~ 10mm φ	60 sec. max.	250°C

Capacitors can withstand two times reflow at the above conditions. Second reflow shall be at least one hour after natural cool to room temperature.



## RECOMMENDED LAND PATTERN DIMENSIONS (mm)

Case Size	a	b	c
6.3x8	2.1	3.5	1.8
8x10.5	2.8	4.1	2.1
10x10.5	4.3	4.4	2.5

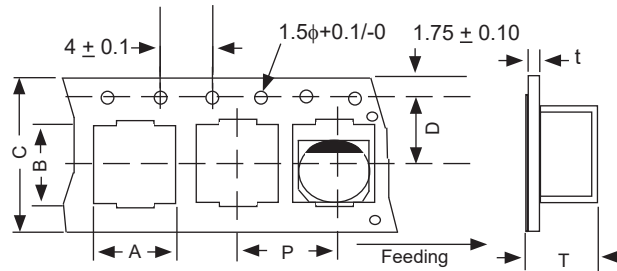


Review & Compare Reflow Soldering Heat Limits  
V-chip SMT Aluminum Electrolytic Capacitors  
[www.niccomp.com/RSL](http://www.niccomp.com/RSL)

# Surface Mount Aluminum Electrolytic Capacitors NAWT Series

## CARRIER TAPE DIMENSIONS & REEL QTY

Case Size	A ±0.2	B ±0.2	C ±0.3	D ±0.1	P ±0.1	T ±0.2	t ±0.1
6.3x8	7.0	7.0	16.0	7.5	12.0	8.2	0.6
8x10.5	8.7	8.7	24.0	11.5	16.0	11.1	0.6
10x10.5	10.7	10.7	24.0	11.5	16.0	11.2	0.6

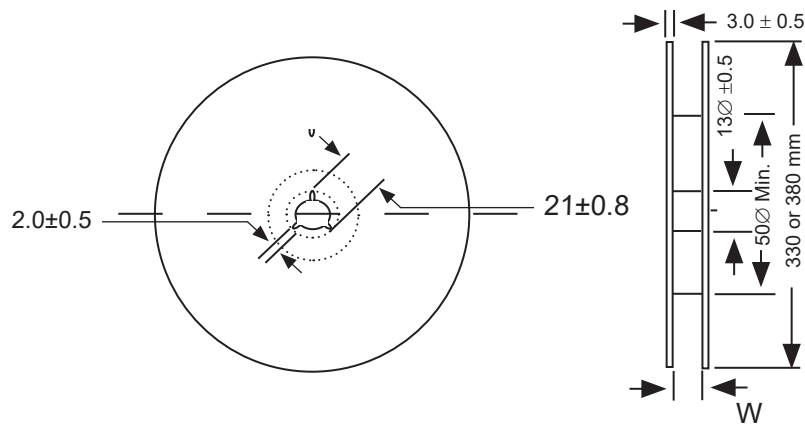


**B suffix 330mm (13") CARDBOARD REEL**  
**LB suffix 380mm (15") CARDBOARD REEL**

(See page 4 for plastic reel dimensions)

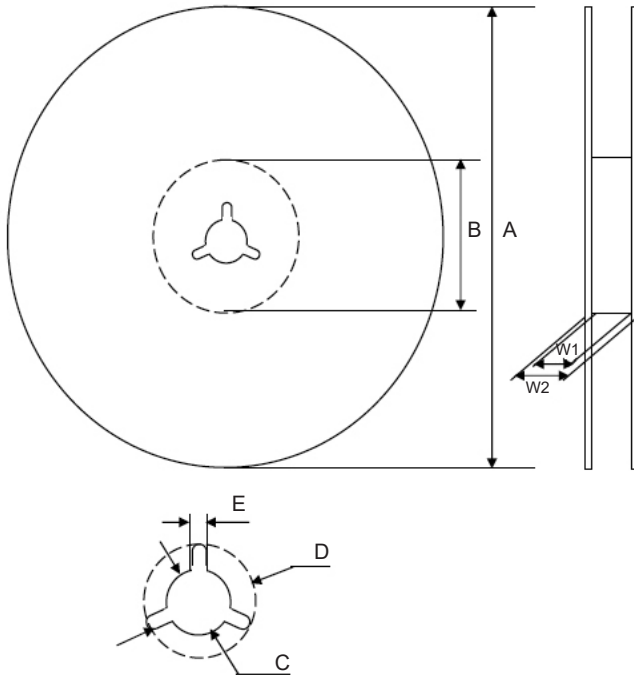
Case Size	W ±1.0	Quantity	
		TR13 (330mm)	TR15 (380mm)
6.3x8	18	500	900
8x10.5	26	300	500
10x10.5	26	300	500

## CARDBOARD REEL



# Surface Mount Aluminum Electrolytic Capacitors NAWT Series

## Optional V-Chip 13" (330mm) Plastic Reels (BP suffix)



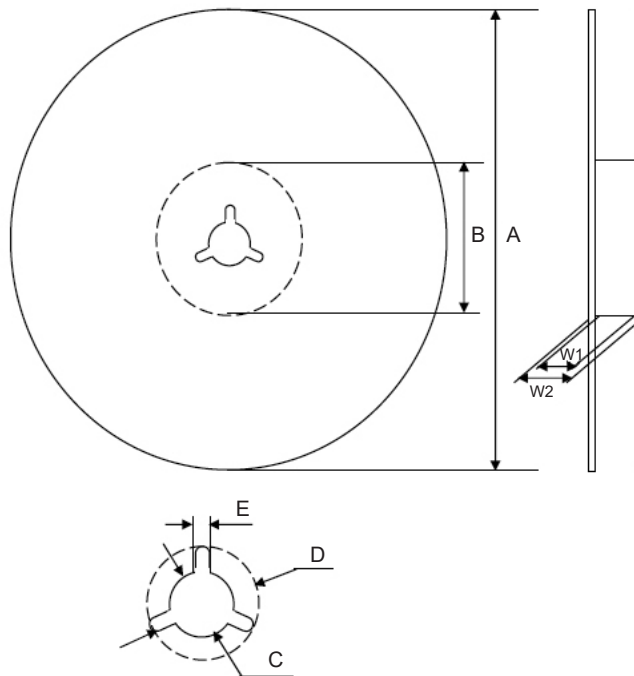
### Dimensions (mm)

Case Size	Tape Width	W1	W2
6.3x8	16.0	16.4 ~ 18.4	19.5 ~ 24.0
8x10.5, 10x10.5	24.0	24.4 ~ 26.4	27.5 ~ 32.0

Case Size	Tape Width	A	B	C	D	E
6.3x8	16.0	$\phi 330$	$\phi 50 \sim 105$	$\phi 13$	$\phi 21$	2.0
8x10.5, 10x10.5	24.0	$\pm 2.0$		$\pm 0.5$	$\pm 1.0$	$\pm 0.5$

Color
Black or Blue

## Optional V-Chip 15" (380mm) Plastic Reels (LBP suffix)



### Dimensions (mm)

Case Size	Tape Width	W1	W2
6.3x8	16.0	16.5 ~ 18.0	19.5 ~ 24.0
8x10.5, 10x10.5	24.0	24.5 ~ 26.0	27.5 ~ 32.0

Case Size	Tape Width	A	B	C	D	E
6.3x8	16.0	$\phi 380$	$\phi 80 \sim 105$	$\phi 13$	$\phi 21$	2.0
8x10.5, 10x10.5	24.0	$\pm 2$		$\pm 0.5$	$\pm 1.0$	$\pm 0.5$

Color
Black or Blue

Case Size	Quantity	
	13" (330mm)	15" (380mm)
6.3x8	500	900
8x10.5	300	500
10x10.5	300	500