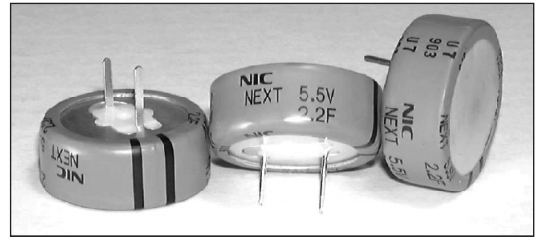


### FEATURES

- SMALLER THAN NEXA SERIES
- DOUBLE LAYER CONSTRUCTION
- SHORT TERM POWER SOURCE (UP TO 50mA)
- SUITABLE FOR FLOW SOLDERING
- LEAD-FREE FINISH



### CHARACTERISTICS

Rated Voltage Range	5.5VDC	
Rated Capacitance Range	0.1F ~ 5.6F (100,000 $\mu$ F ~ 5,600,000 $\mu$ F)	
Operating Temp. Range	-40°C ~ +85°C	
Capacitance Tolerance	+80%/-20% (Z)	
Load Life Test @ 85°C 1,000 hours	$\Delta$ Capacitance Change	Less than $\pm$ 30% of initial measured value
	Maximum ESR	Less than 200% of the specified maximum value
	Current at 30 minutes	Less than 200% of the specified maximum value
Temperature Cycling (5 cycles, -40 ~ +85°C)	$\Delta$ Capacitance Change	Within +80%/-20% of specified value
	Maximum ESR	Less than specified maximum value
	Current at 30 minutes	Less than specified maximum value
Humidity Resistance (240 hours @ 40°C/90% RH)	$\Delta$ Capacitance Change	Less than $\pm$ 20% of initial measured value
	Maximum ESR	Less than 120% of the specified maximum value
	Current at 30 minutes	Less than 120% of the specified maximum value

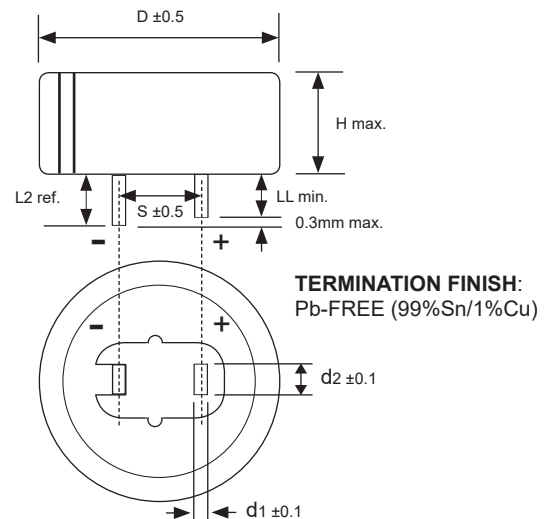
### Super Capacitor Application Guide

### STANDARD VALUES AND SPECIFICATIONS

NIC P/N	Capacitance Value (F)		Rated Voltage (VDC)	Max. Current @ 30 minutes (mA)	Max. ESR @ 1KHz ( $\Omega$ )	Typical DCR ( $\Omega$ )
	Charge	Discharge				
NEXT104Z5.5V11.5X8.5F	0.10	0.14	5.5	< 0.15	<16	23
NEXT224Z5.5V14.5X12F	0.22	0.28	5.5	<0.33	<10	16
NEXT474Z5.5V16.5X13F	0.47	0.60	5.5	<0.71	<6.5	5.4
NEXT105Z5.5V21.5X13F	1.0	1.3	5.5	<1.5	<3.5	2.9
NEXT225Z5.5V28.5X14F	2.2	2.8	5.5	<3.3	<1.8	2.1
NEXT335Z5.5V36.5X15F	3.3	4.2	5.5	<5.0	<1.0	1.3
NEXT565Z5.5V44.5X17F	5.6	7.2	5.5	<8.4	<0.6	0.8

### CASE DIMENSIONS (mm)

NIC P/N	DIMENSIONS (mm)						
	D	H	S	L2 (ref)	LL	d1	d2
NEXT104Z5.5V11.5X8.5F	11.5	8.5	5.08	4.1 $\pm$ 1.0	2.7	0.4	1.2
NEXT224Z5.5V14.5X12F	14.5	12.0	5.08	3.4 $\pm$ 1.0	2.2	0.4	1.2
NEXT474Z5.5V16.5X13F	16.5	13.0	5.08	4.1 $\pm$ 1.0	2.7	0.4	1.2
NEXT105Z5.5V21.5X13F	21.5	13.0	7.62	4.5 $\pm$ 1.5	3.0	0.6	1.2
NEXT225Z5.5V28.5X14F	28.5	14.0	10.16	8.0 $\pm$ 1.5	6.1	0.6	1.4
NEXT335Z5.5V36.5X15F	36.5	15.0	15.0	8.7 $\pm$ 2.0	6.1	0.6	1.7
NEXT565Z5.5V44.5X17F	44.5	17.0	20.0	7.5 $\pm$ 2.0	6.1	1.0	1.4



### PRECAUTIONS

Please review the notes on correct use, safety and precautions found at [https://www.niccomp.com/resource/files/double/Double\\_Layer\\_Capacitor\\_Guide\\_0810-RevBrA7.pdf](https://www.niccomp.com/resource/files/double/Double_Layer_Capacitor_Guide_0810-RevBrA7.pdf)  
If in doubt or uncertainty, please review your specific application - process details with NIC's technical support personnel: [tpmg@niccomp.com](mailto:tpmg@niccomp.com)

