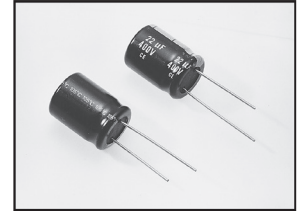


HIGH VOLTAGE, RADIAL, POLARIZED, EXTENDED TEMPERATURE FEATURES

- HIGH VOLTAGE/TEMPERATURE (UP TO 450VDC/+105°C)
 - NEW REDUCED SIZES
 - MEETS THE REQUIREMENTS OF AEC-Q200*
- *Contact NIC for supporting test data

RoHS Compliant
includes all homogeneous materials



*See Part Number System for Details

CHARACTERISTICS

Rated Voltage Range	160 ~ 450VDC						
Capacitance Range	1.0 ~ 330μF						
Operating Temperature Range	-40°C ~ +105°C (160 ~ 400V) or -25°C ~ +105°C (450V)						
Capacitance Tolerance	±20% (M)						
Maximum Leakage Current @ 20°C	CV ≤ 1000μF 0.03CV +15μA, CV > 1000μF 0.02CV +25μA (after 2 minutes)						
Max. Tan δ @ 120Hz/20°C	W.V.	160	200	250	350	400	450
	S.V.	200	250	300	400	450	500
	Tan δ	0.20	0.20	0.20	0.25	0.25	0.25
Low Temperature Stability Impedance Ratio @ 120Hz	Z-25°C/Z+20°C	3	3	3	4	6	6
	Z-40°C/Z+20°C	6	6	6	8	10	-
Load Life Test at Rated W.V. +105°C 2,000 Hours: 10φ & Up +105°C 1,000 Hours: 8φ	Capacitance Change	Within ±20% of initial measured value					
	Tan δ	Less than 200% of specified maximum value					
	Leakage Current	Less than specified maximum value					
Shelf Life Test +85°C 1,000 Hours with no load	Shall meet same requirements as in load life test						

STANDARD PRODUCT AND CASE SIZE TABLE DφxL (mm)

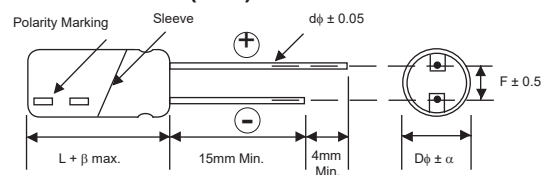
Cap (μF)	Code	Working Voltage (Vdc)					
		160	200	250	350	400	450
1.0	1R0	5x11	5x11	5x11	6.3x11	-	-
2.2	2R2	6.3x11	6.3x11	6.3x11	8x11.5	8x11.5	-
3.3	3R3	6.3x11	6.3x11	8x11.5	8x12.5	10x12.5	-
4.7	4R7	6.3x11	8x11.5	8x11.5	10x12.5	10x16	-
10	100	8x11.5	8x12.5	10x12.5	10x20	10x20	-
22	220	10x12.5	10x16	10x20	12.5x25	12.5x25	16x25
33	330	10x20	10x20	12.5x20	16x25	16x25	16x31.5
47	470	12.5x20	12.5x20	12.5x25	16x31.5	16x31.5	18x35.5
68	680	12.5x20	12.5x25	16x25	16x35.5	18x35.5	18x41
82	820	12.5x25	-	16x31.5 18x25	18x35.5	18x41	-
100	101	12.5x25	16x25	16x35.5	18x41	-	-
150	151	16x31.5	16x35.5	18x35.5	-	-	-
220	221	16x35.5	18x35.5	-	-	-	-
330	331	18x41	-	-	-	-	-

LEAD SPACING AND DIAMETER (mm)

Case Dia. (Dφ)	5	6.3	8	10	12.5	16	18
Lead Dia. (dφ)	0.5	0.5	0.6	0.6	0.6	0.8	0.8
Lead Spacing (F)	2.0	2.5	3.5	5.0	5.0	7.5	7.5
Dim α	0.5	0.5	0.5	0.5	0.5	0.5	0.5

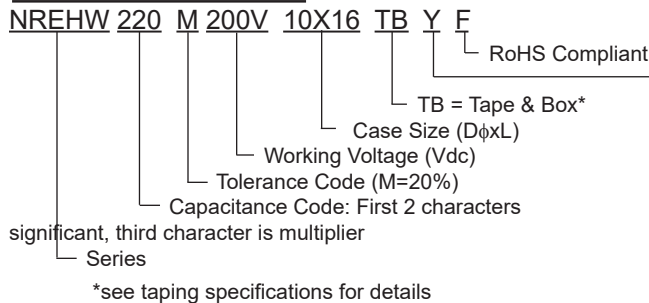
β = L < 20mm = 1.5mm, L > 20mm = 2.0mm

DIMENSIONS (mm)



Drawing is representative of parts as supplied in bulk or straight lead format, please see taping specification for details on taped format packaging.

PART NUMBER SYSTEM



Optional: For automotive equipment, sourced to special production and inspection at IATF-16949 certified production site

PRECAUTIONS

Please review the notes on correct use, safety and precautions found at <https://www.niccomp.com/resource/files/aluminum/AlumApplInfoCautions.pdf>
If in doubt or uncertainty, please review your specific application - process details with NIC's technical support personnel: tpmg@niccomp.com

STANDARD VALUES, SPECIFICATIONS AND CASE SIZES (mm)

Part Number	Cap. (µF)	W.V. (Vdc)	Dissipation Factor +20°C/120Hz	Ripple Current Rating (mA) +105°C/120Hz	Max. ESR (Ω) +20°C/120Hz	Load Life Hours @+105°C	
NRE-HW1R0M160V5x11F	1.0	160	0.20	15	332	1,000	
NRE-HW2R2M160V6.3x11F	2.2		0.20	22	151	1,000	
NRE-HW3R3M160V6.3x11F	3.3		0.20	28	101	1,000	
NRE-HW4R7M160V6.3x11F	4.7		0.20	39	70.6	1,000	
NRE-HW100M160V8x11.5F	10		0.20	63	33.2	1,000	
NRE-HW220M160V10x12.5F	22		0.20	107	15.1	2,000	
NRE-HW330M160V10x20F	33		0.20	137	10.1	2,000	
NRE-HW470M160V12.5x20F	47		0.20	172	7.06	2,000	
NRE-HW680M160V12.5x20F	68		0.20	217	4.88	2,000	
NRE-HW820M160V12.5x25F	82		0.20	270	4.05	2,000	
NRE-HW101M160V12.5x25F	100		0.20	287	3.32	2,000	
NRE-HW151M160V16x31.5F	150		0.20	385	2.21	2,000	
NRE-HW221M160V16x35.5F	220		0.20	522	1.51	2,000	
NRE-HW331M160V18x41F	330		0.20	560	1.01	2,000	
NRE-HW1R0M200V5x11F	1.0		200	0.20	16	332	1,000
NRE-HW2R2M200V6.3x11F	2.2	0.20		24	151	1,000	
NRE-HW3R3M200V6.3x11F	3.3	0.20		32	101	1,000	
NRE-HW4R7M200V8x11.5F	4.7	0.20		40	70.6	1,000	
NRE-HW100M200V8x12.5F	10	0.20		64	33.2	1,000	
NRE-HW220M200V10x16F	22	0.20		112	15.1	2,000	
NRE-HW330M200V10x20F	33	0.20		147	10.1	2,000	
NRE-HW470M200V12.5x20F	47	0.20		175	7.06	2,000	
NRE-HW680M200V12.5x25F	68	0.20		228	4.88	2,000	
NRE-HW101M200V16x25F	100	0.20		301	3.32	2,000	
NRE-HW151M200V16x35.5F	150	0.20		403	2.21	2,000	
NRE-HW221M200V18x35.5F	220	0.20		532	1.51	2,000	
NRE-HW1R0M250V5x11F	1.0	250		0.20	18	332	1,000
NRE-HW2R2M250V6.3x11F	2.2			0.20	25	151	1,000
NRE-HW3R3M250V8x11.5F	3.3			0.20	34	101	1,000
NRE-HW4R7M250V8x11.5F	4.7		0.20	41	70.6	1,000	
NRE-HW100M250V10x12.5F	10		0.20	66	33.2	2,000	
NRE-HW220M250V10x20F	22		0.20	119	15.1	2,000	
NRE-HW330M250V12.5x20F	33		0.20	154	10.1	2,000	
NRE-HW470M250V12.5x25F	47		0.20	182	7.06	2,000	
NRE-HW680M250V16x25F	68		0.20	235	4.88	2,000	
NRE-HW820M250V16x31.5F	82		0.20	284	4.05	2,000	
NRE-HW820M250V18x25F	82		0.20	284	4.05	2,000	
NRE-HW101M250V16x35.5F	100		0.20	302	3.32	2,000	
NRE-HW151M250V18x35.5F	150		0.20	412	2.21	2,000	
NRE-HW1R0M350V6.3x11F	1.0		350	0.25	20	415	1,000
NRE-HW2R2M350V8x11.5F	2.2			0.25	28	188	1,000
NRE-HW3R3M350V8x12.5F	3.3	0.25		36	126	1,000	
NRE-HW4R7M350V10x12.5F	4.7	0.25		47	86.2	2,000	
NRE-HW100M350V10x20F	10	0.25		70	41.5	2,000	
NRE-HW220M350V12.5x25F	22	0.25		123	18.8	2,000	
NRE-HW330M350V16x25F	33	0.25		158	12.6	2,000	
NRE-HW470M350V16x31.5F	47	0.25		182	8.82	2,000	
NRE-HW680M350V16x35.5F	68	0.25		242	6.10	2,000	
NRE-HW820M350V18x35.5F	82	0.25		294	5.06	2,000	
NRE-HW101M350V18x41F	100	0.25		308	4.15	2,000	
NRE-HW1R0M400V8x11.5F	1.0	400		0.25	20	415	1,000
NRE-HW2R2M400V8x11.5F	2.2			0.25	28	188	1,000
NRE-HW3R3M400V10x12.5F	3.3			0.25	36	126	2,000
NRE-HW4R7M400V10x16F	4.7			0.25	47	86.2	2,000
NRE-HW100M400V10x20F	10		0.25	70	41.5	2,000	

For Automotive Applications see part number system

STANDARD VALUES, SPECIFICATIONS AND CASE SIZES (mm)

Part Number	Cap. (μF)	W.V. (Vdc)	Dissipation Factor +20°C/120Hz	Ripple Current Rating (mA) +105°C/120Hz	Max. ESR (Ω) +20°C/120Hz	Load Life Hours @+105°C
NRE-HW220M400V12.5x25F	22	400	0.25	126	18.8	2,000
NRE-HW330M400V16x25F	33		0.25	161	12.6	2,000
NRE-HW470M400V16x31.5F	47		0.25	189	8.82	2,000
NRE-HW680M400V18x35.5F	68		0.25	249	6.10	2,000
NRE-HW820M400V18x41F	82		0.25	315	5.06	2,000
NRE-HW220M450V16x25F	22		450	0.25	125	18.8
NRE-HW330M450V16x31.5F	33	0.25		154	12.6	2,000
NRE-HW470M450V18x35.5F	47	0.25		172	8.82	2,000
NRE-HW680M450V18x41F	68	0.25		189	6.10	2,000

For Automotive Applications see part number system

RIPPLE CURRENT FREQUENCY CORRECTION FACTOR

Cap. Value	Frequency (Hz)		
	100 ~ 500	1K ~ 5K	10K ~ 100K
<100μF	1.00	1.30	1.50
100 ~ 1000μF	1.00	1.20	1.30