

PRODUCT PROFILE & CROSS-REFERENCE

NIC Technical Support: tpmg@niccomp.com

PDF Specification: https://www.niccomp.com/products/catalog/npis_ha.pdf

Product Category:

Passives; Inductors; Shielded; SMT; High Current; Auto-Grade

NPIS_HA series

Auto Grade SMD High Current Power Inductors



NIC Components is pleased to announce the expansion of the NPIS family of high current shielded power inductors with the addition of the automotive-grade NPIS_HA series. The NPIS_HA series meets the requirements of AEC-Q200 and is suggested for use in automotive equipment applications, or applications that require high reliability at higher operating currents.

Magnetic resin **shielded construction decreases leakage flux, reduces EMI, and lowers acoustic noise (coil whine)** as compared to conventional inductors of equal size. **Three miniature SMT case sizes** cover an inductance value range of 0.47uH to 470uH, Isat current ratings from 5.2A to 16A, and an operating temperature range of -55°C to +125°C (including self-heating).

The NPIS_HA Series meets Pb-free reflow conditions up to +260°C and is RoHS compliant without exemptions, is halogen-free, and is REACH compliant. Contact NIC Components today for free samples and to review your circuit requirements.

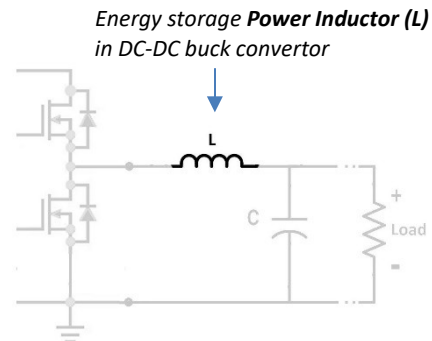
Features:

- Meets AEC-Q200
- Magnetic Resin Shielded
- Lower Leakage Flux and Reduced Coil Whine
- Robust Shock Resistance SMT Construction
- 30% Higher Current Rated (Up to 16Amps)
- 40°C to +125°C (including self-heating)
- High Inductance (Up to 470uH)
- Tape and Reeled for Automatic Placement

Applications:

- Automotive Circuits
- Power Applications
- Power Supplies
- DC-DC Power Circuits
- High Reliability
- Infrastructure and Enterprise Systems

Co-Sell Products:



Cross-Reference

NIC	Bourns	Murata	Taiyo Yuden	TDK
NPIS_HA	SRN5040TA SRN6045HA SRN8040TA	DEM8045C_Z	NRS6045 NRS8040	VLS6045EX-H

NIC Components Corp.

ISO 9001:2015 REGISTERED